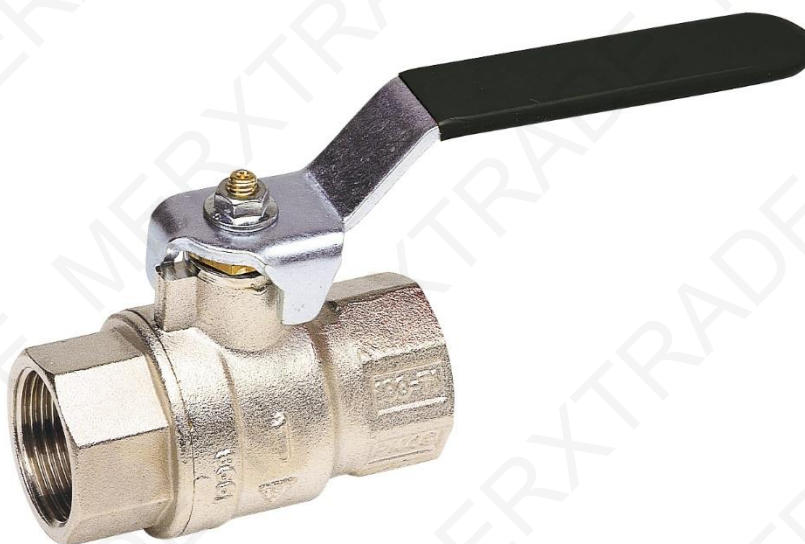


BRASS BALL VALVE INDUSTRY FEMALE NPT

Brass ball valves industry full bore with large flat sealing face for water networks, heating, watering, cooling and compressed air.

PTFE packing with EPDM O ring on anti blow-out stem.



Size : DN1/4" to DN2"

Connection : Female NPT

Min Temperature : -10°C

Max Temperature : +120°C

Max Pressure : 40 Bars (up to DN1")

Specifications : Anti blow-out stem (from DN1/2" to DN2")

PTFE packing + O ring EPDM

Full bore

Materials : Brass EN 12165-CW617N

BRASS BALL VALVE INDUSTRY FEMALE NPT

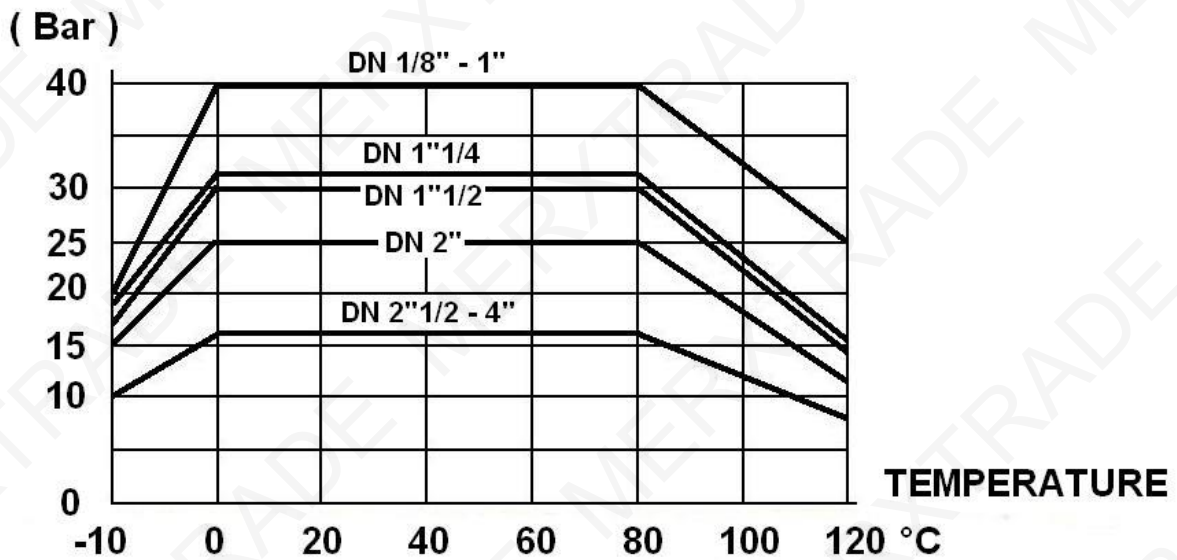
SPECIFICATIONS :

- Heavy model
- Long threaded ends
- Full bore
- Anti blow out stem from DN1/2" to DN2"
- Solid ball
- Packing PTFE + EPDM O ring
- Black flat steel handle or black butterfly aluminium handle

USE :

- Water, heating, watering, cooling and compressed air
- Min Temperature Ts : - 10 °C
- Max Temperature Ts : + 120°C
- Max Pressure Ps : 40 bars up to DN 1", 32 bars for DN 1"1/4, 30 bars for DN 1"1/2, 25 bars for DN 2" (see graph)

PRESSURE / TEMPERATURE GRAPH (STEAM EXCLUDED) :

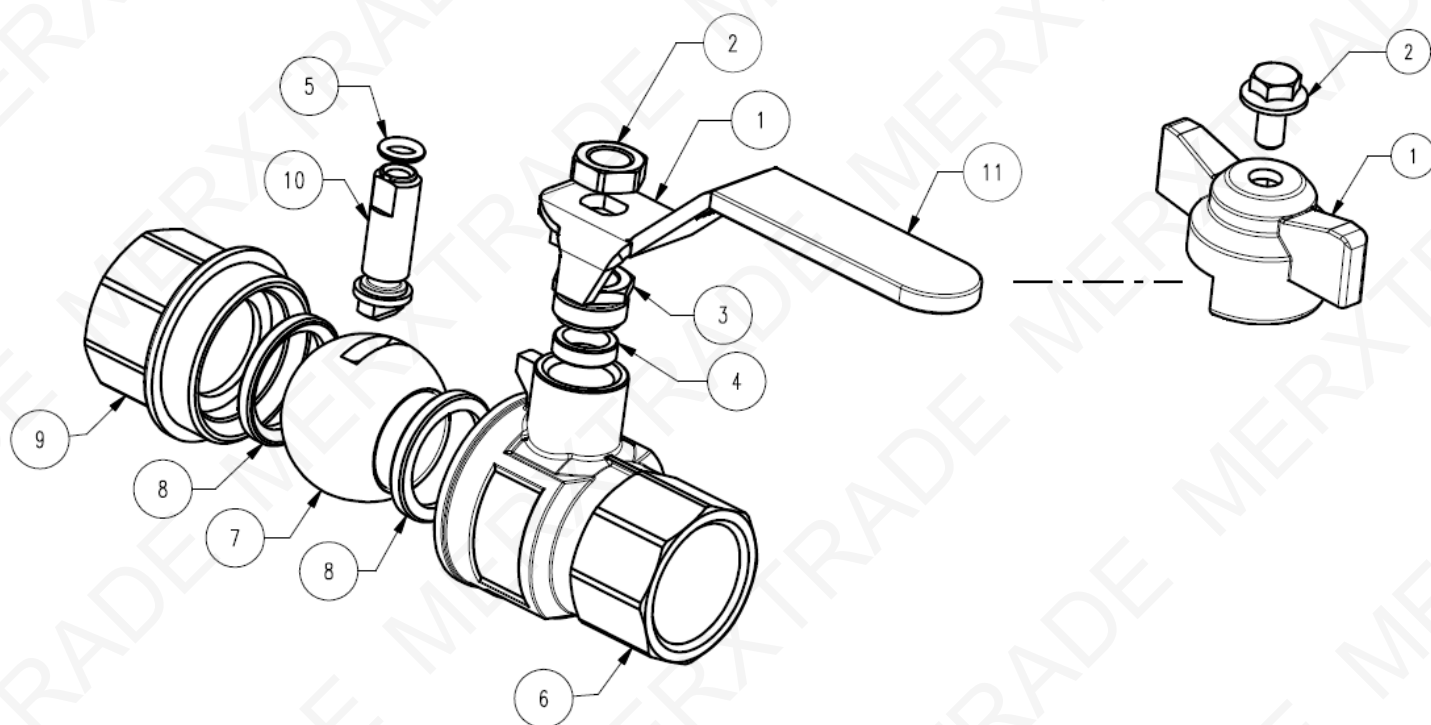


RANGE :

- Female / Female threaded NPT with black flat steel handle **Ref. 52100** from DN 1/4" to 1"
- Female / Female threaded NPT with black aluminium butterfly handle **Ref. 52101** from DN 1/4" to 1"

BRASS BALL VALVE INDUSTRY FEMALE NPT

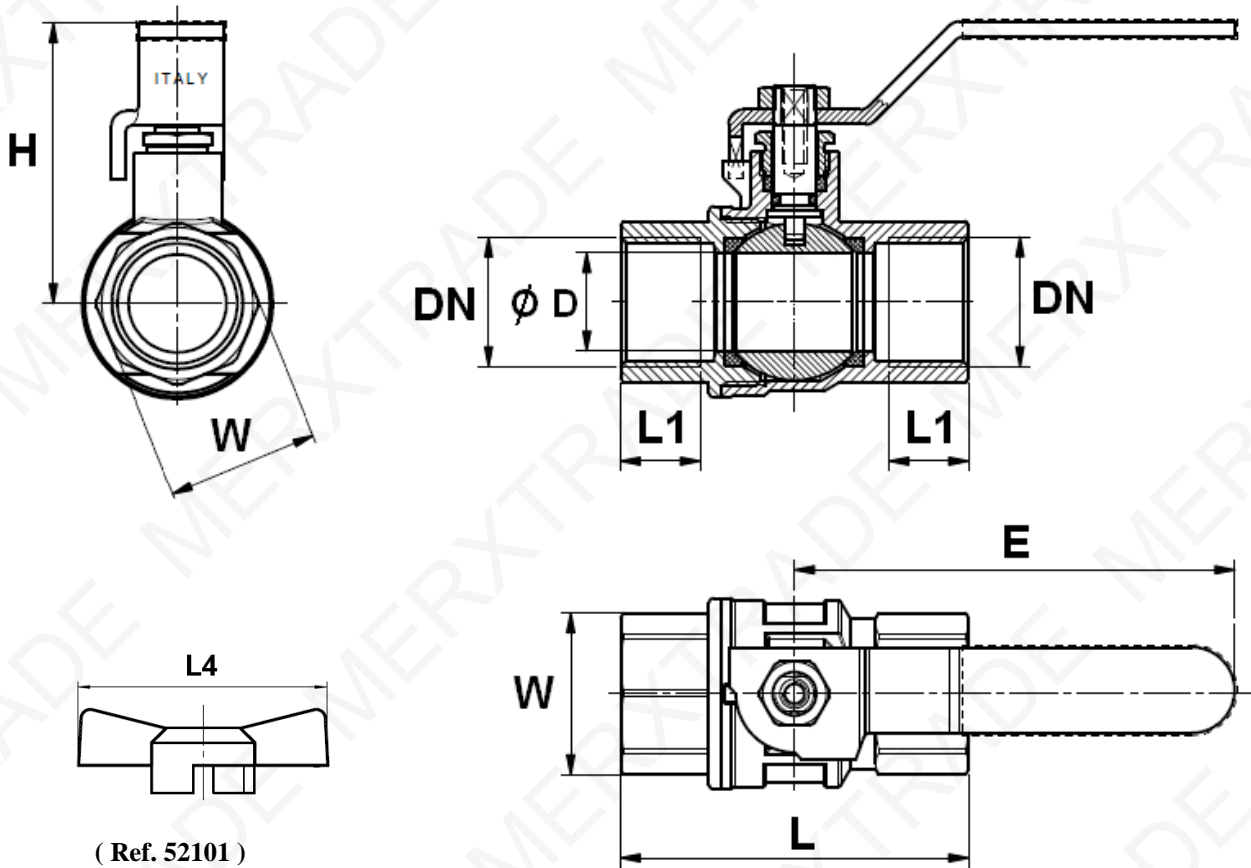
MATERIALS :



Item	Designation	Materials 52100	Materials 52101
1	Handle	Galvanized steel	Aluminium
2	Nut / Screw	Steel	
3	Packing nut	Brass CW 614 N according to EN 12164	
4	Packing	PTFE	
5	O ring	EPDM	
6	Body	Brass CW 617 N according to EN 12165 nickel	
7	Ball	Brass CW 617 N according to EN 12165 chromed	
8	Seat	PTFE	
9	Bonnet	Brass CW 617 N according to EN 12165 nickel	
10	Stem	Brass CW 614 N according to EN 12164	
11	Handle cover	Plastic	-

BRASS BALL VALVE INDUSTRY FEMALE NPT

SIZE (in mm) :



(Ref. 52101)

Ref.	DN	1/4"	3/8"	1/2"	3/4"	1"	1"1/4"	1"1/2"	2"
521	Ø D	10	10	15	20	25	32	40	49
	L	46.5	46.5	62	71	81.5	92	102	126
	L1	10	10	15	16.3	19.1	21.4	21.4	26
	L4	50	50	50	50	65	-	-	-
	E	80	80	90	90	130	130	150	150
	H	40.5	40.5	53.5	57.5	66.5	72	83.5	90
	W on flat	21	21	26	31	38	48	55	68
52100	Weight (Kg)	0.14	0.13	0.26	0.34	0.61	0.88	1.34	1.99
52101	Weight (Kg)	0.13	0.11	0.23	0.31	0.54	-	-	-

BRASS BALL VALVE INDUSTRY FEMALE NPT

STANDARDS :

- Manufacturer certified ISO 9001 : 2015
- DIRECTIVE 2014/68/EU : Products excluded from directive up to DN1" (Article 4, § 3)
Risk category I module A from DN1"1/4 to DN2"
- Threaded female NPT ends according to ANSI B1.20.1

ADVICE : Our opinion and our advice are not guaranteed and merxtrade shall not be liable for the consequences of damages. The customer must check the right choice of the products with the real service conditions.